



|                       |                             |
|-----------------------|-----------------------------|
| Name                  | SB146 IP65 on-(off) 13x19mm |
| Rated Range           | 12(10)A 250VAC              |
| Contact resistance    | $\leq 50\text{m}\Omega$     |
| Insulation resistance | $\geq 1000\text{M}\Omega$   |
| Compressive strength  | 1500VAC 1Min                |
| Electrical life       | 10000time                   |
| Mechanical life       | 10000time                   |
| Press power           | 7N~10N                      |
| Operating temperature | -25°C ~ +105°C              |
| Degree of protection  | IP65                        |
| Hypothermia           | -25°C                       |

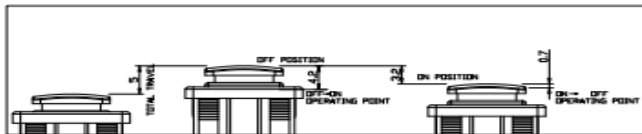
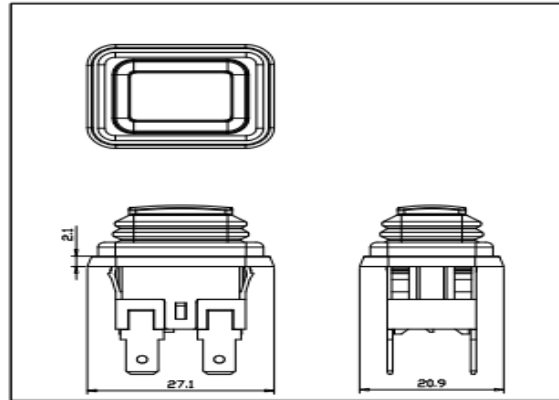
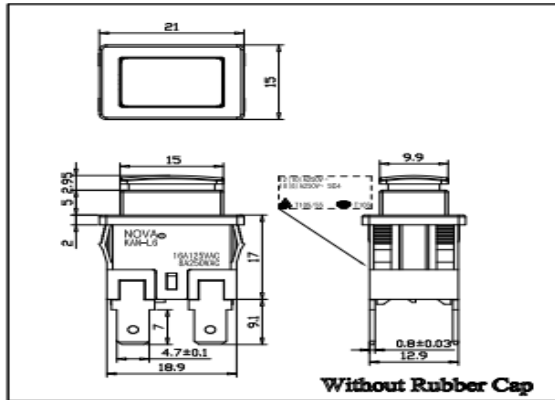
Weldability

$\leq 260^{\circ}\text{C}$ ,  $\leq 3\text{S}$

Resistance to soldering heat pick  $\leq 260^{\circ}\text{C}$ ,  $\leq 3\text{S}$

Material

PA66



RUICHI